
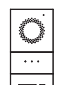




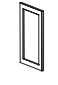




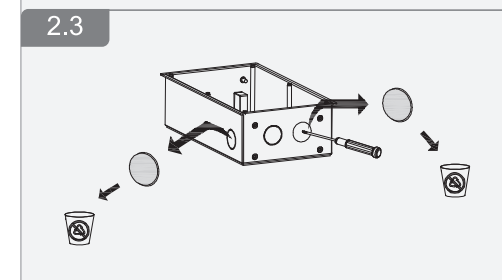
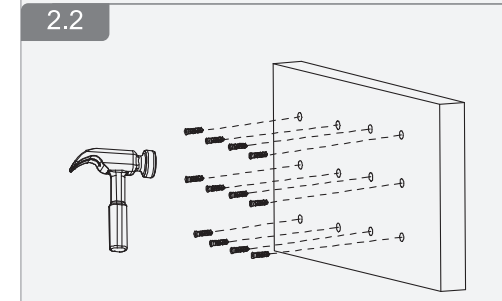
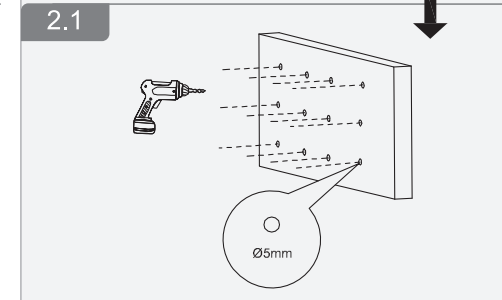
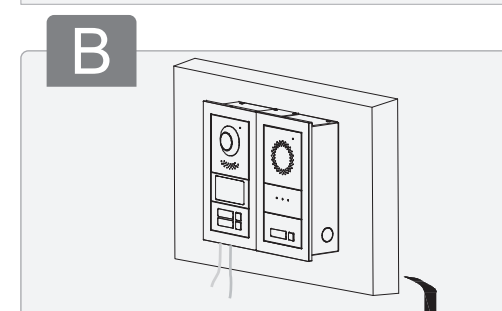
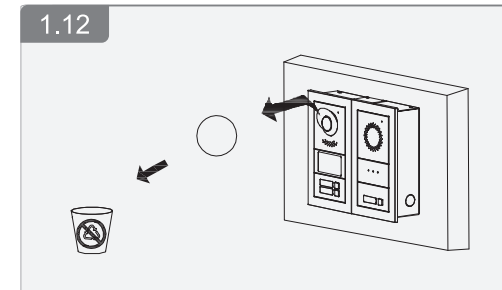
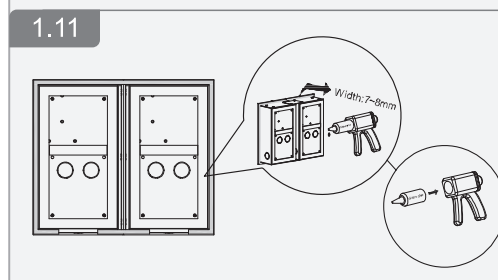
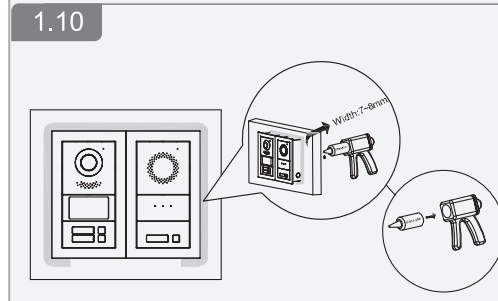
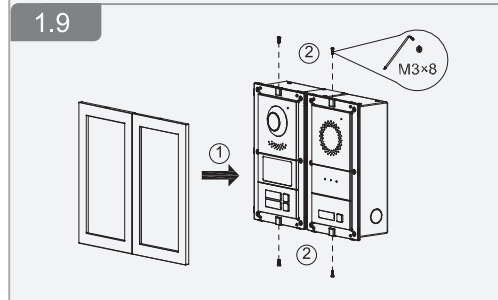
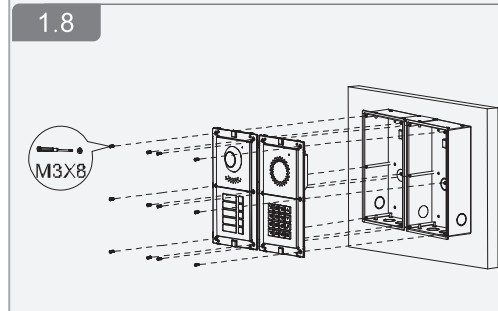
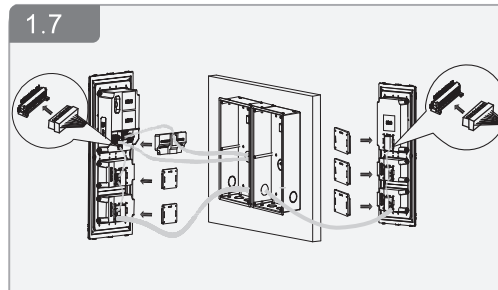
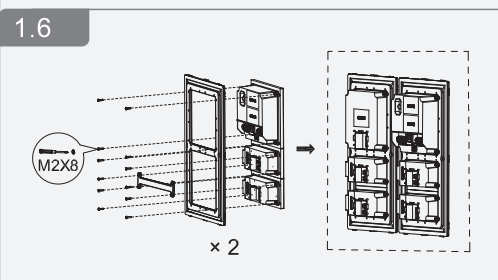
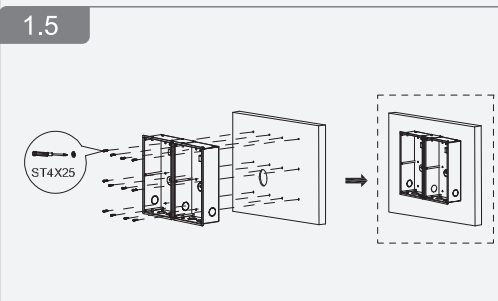
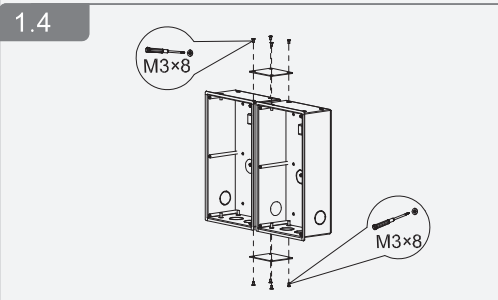
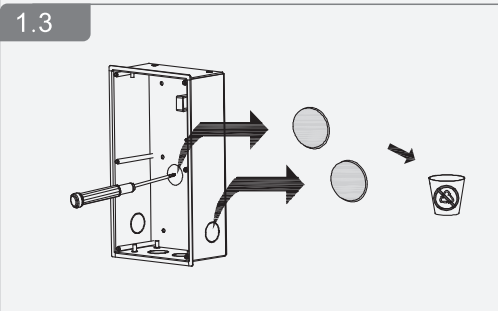
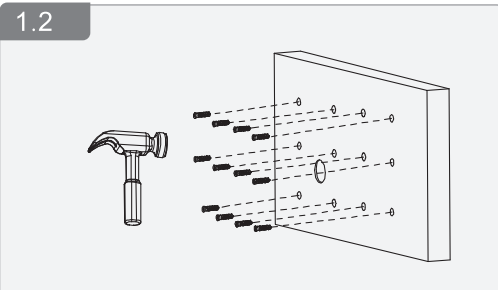
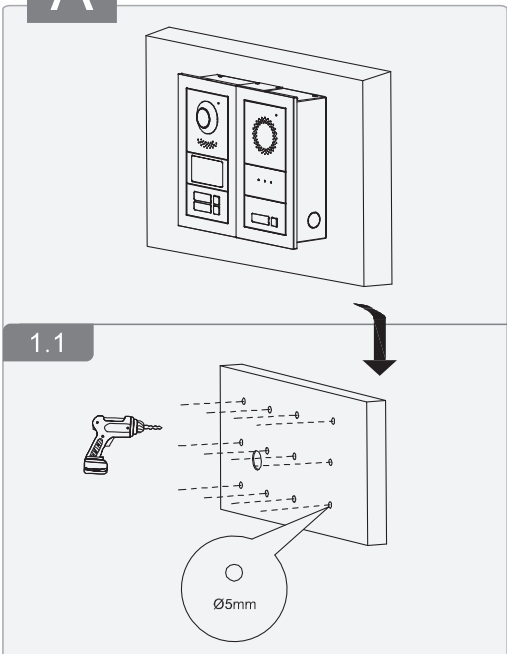




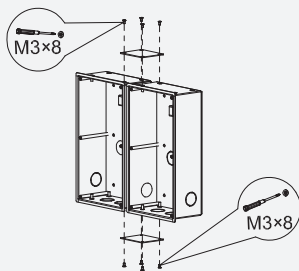
-  × 2       × 1
-  × 1       × 2
-  × 2       × 2
-  × 2       × 16
-  × 8       × 4
-  × 24



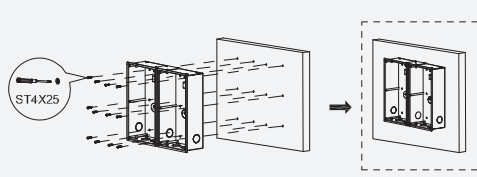
A



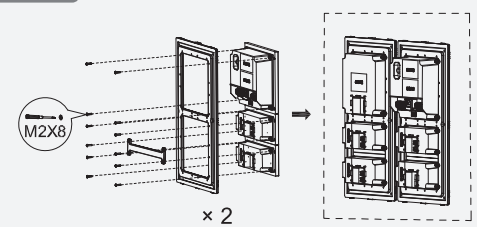
2.4



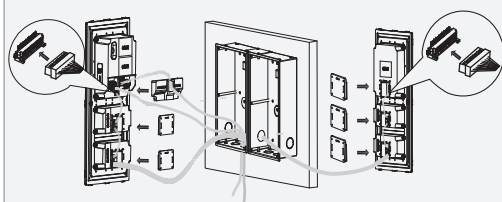
2.5



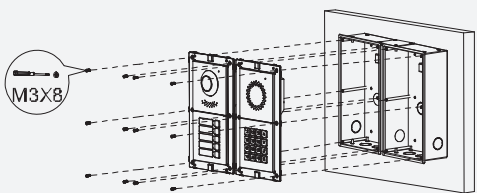
2.6



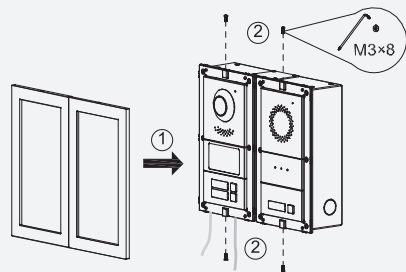
2.7



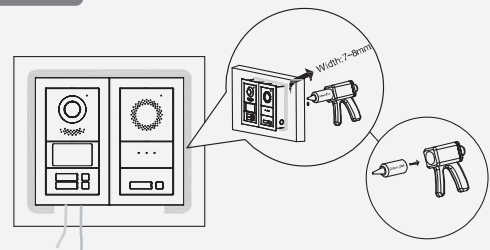
2.8



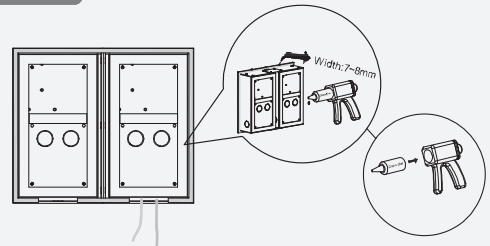
2.9



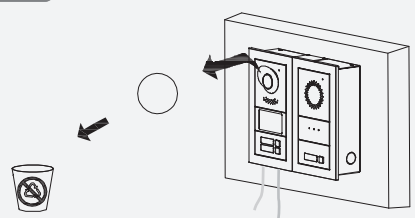
2.10



2.11



2.12



1.6